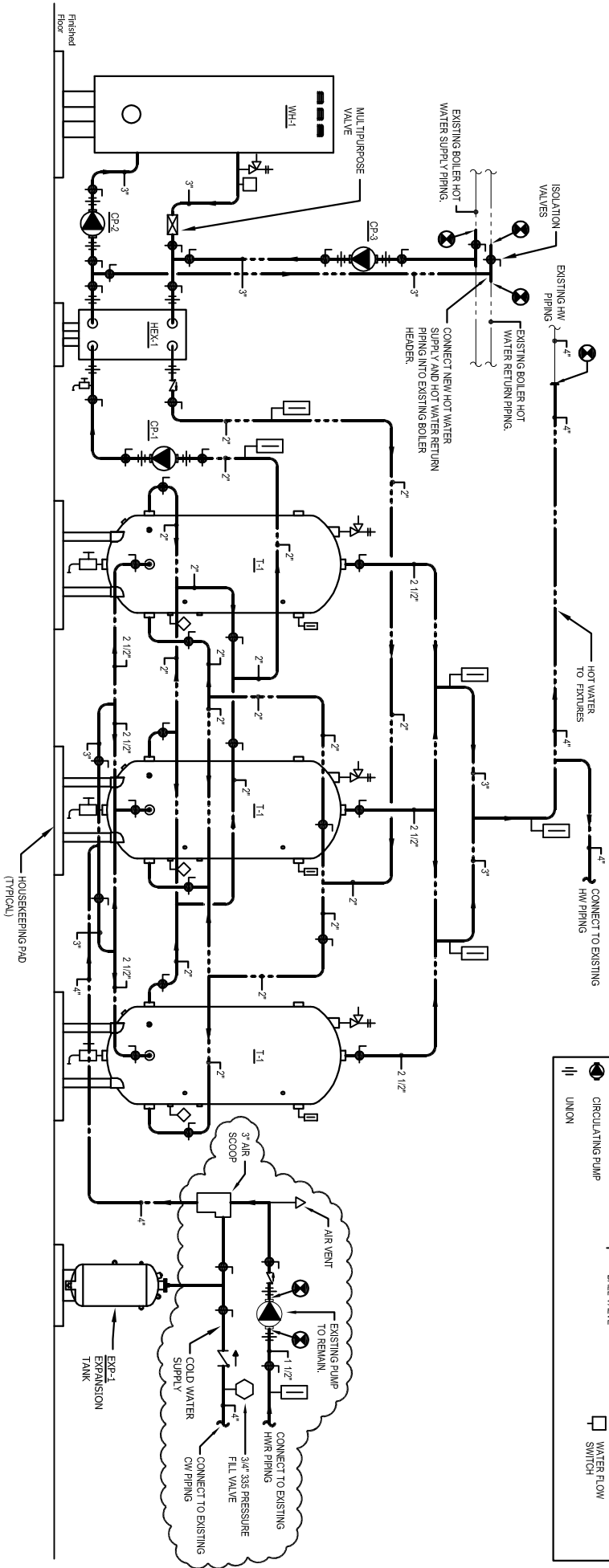


ONE BOILER/THREE VERTICAL STORAGE TANKS RECOVERY SYSTEM  
(ONE TEMPERATURE)



LEGEND	
	TEMPERATURE & PRESSURE RELIEF VALVE
	TEMPERATURE CONTROL PROBE
	PRESSURE RELIEF VALVE
	CIRCULATING PUMP
	UNION
	DRAIN
	FILL PORT BALL VALVE
	CHECK VALVE
	TEMPERATURE GAUGE
	WATER FLOW SWITCH

3 HOT WATER PIPING DETAIL  
P300 SCALE: NOT TO SCALE

- NOTES:
1. PREFERRED PIPING DIAGRAM.
  2. THE TEMPERATURE AND PRESSURE RELIEF VALVE SETTINGS SHALL NOT EXCEED PRESSURE RATINGS OF ANY COMPONENT IN THE SYSTEM.
  3. SERVICE VALVES ARE SHOWN FOR SERVICING BOILER. HOWEVER, LOCAL CODES SHALL GOVERN THEIR USAGE.
  4. PIPING METHOD IS BASED ON 50 EQUIVALENT FEET OF PIPING. BOILER PLACEMENT SHALL BE AS CLOSE AS PRACTICAL TO THE STORAGE TANK.
  5. TEMPERATURE CONTROL PROBE/QUAD THERMISTOR PROBE, P/N 900695005 MUST BE INSTALLED ONTO THE TANK AND CONNECTED TO THE BOILER.

**GR2EF**

PROJECT NUMBER: 2006-0243.25  
DATE: 02-02-2010  
SCALE: NOT TO SCALE  
REFERENCE SHEET: P300

PROJECT TITLE: COLLEGE COURT HOUSING DEVELOPMENT  
SHEET TITLE: PLUMBING ISOMETRICS & DETAILS

ADD #2  
**P1**